

Request for Proposal Number: _____

Project Name: _____

City/State: _____

Owner: _____

Site Contact: _____

Engineer: _____

Rep: _____

Project Requirements:

Number of Screens: _____

Model Requested: Select _____

Bar Opening Requested: Select _____

Material of Construction: Select _____

Project Phase: Select _____

Site (New or Existing): Select _____

Date Requestd By: _____

Date: _____

Site Constraints: _____

Notes: _____

Application: Select _____

Flow (Pumped/Gravity): Select _____

Debris Type (WW/septage/sludge/grease): _____

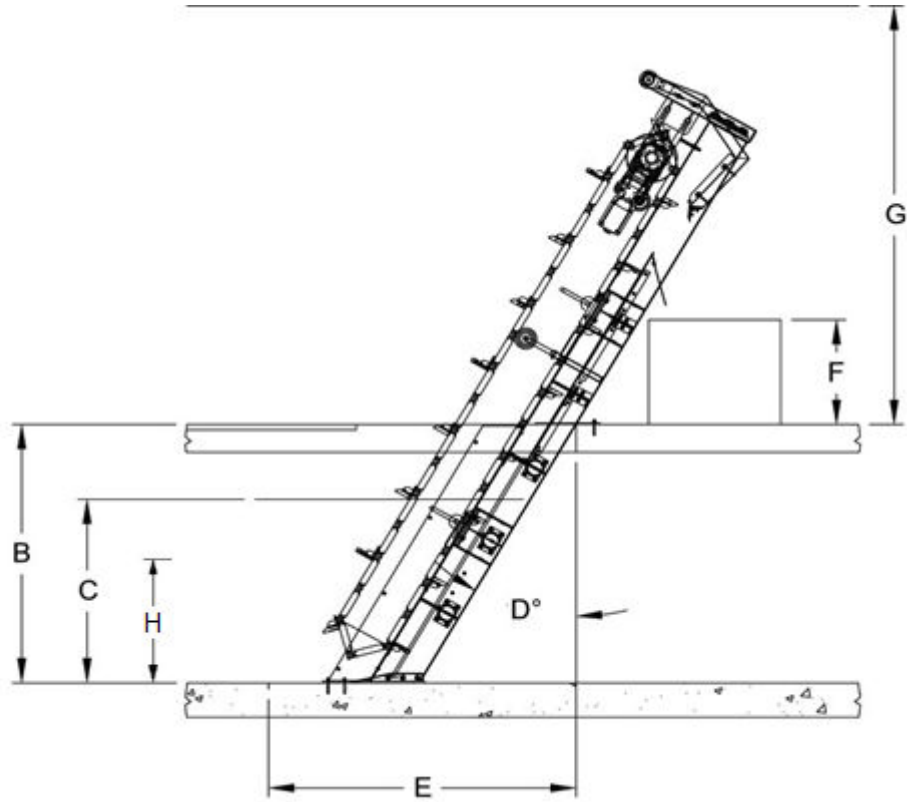
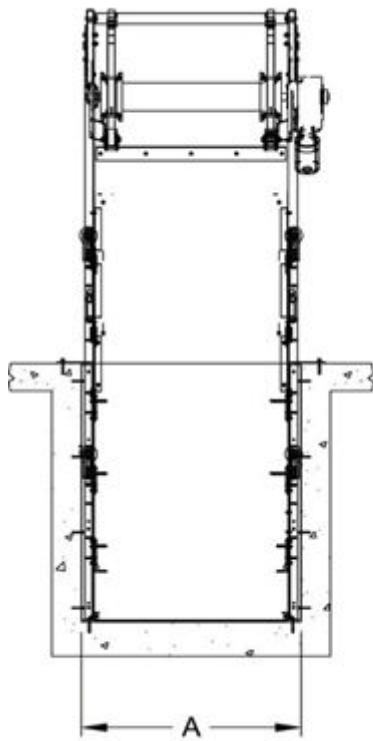
Average Flow (MGD): _____ **Per Channel**

Max Flow (MGD): _____ **Per Channel**

Total Plant Flow (MGD): _____

Additional Equipment: Select _____

How Many (Type): _____



Site Data:

A) Channel Width (ft): _____

B) Invert to Top of Channel (ft): _____

Invert to Operating Deck (ft): _____

C) Max. Water Level (ft): _____ Select

D) Desired Angle (from Vertical): Select

E) Channel Distance (ft): _____

F) Container Height (ft): _____

G) Ceiling Height (ft): _____

H) Min. Water Level (ft): _____ Select

Description of Container Location: "distance from screen discharge, same elevation or offset, left or right (standing from upstream)."
